

APSOvib® – Reinforced machine mounts



The name APSOvib® stands for the demand and cost optimized implementation of every vibration-related technical challenge. Outstanding application know-how and the large APSOvib® range of vibration elements provide the basis for this.

The APSOvib® reinforced machine mounts have been specially designed for mobile devices where large accelerations can occur and only a little installation space is available.

Areas of application

These reinforced APSOvib® machine mounts are used to fix engines or devices that can be subjected to high acceleration in use and must not experience excessive deflections during this.

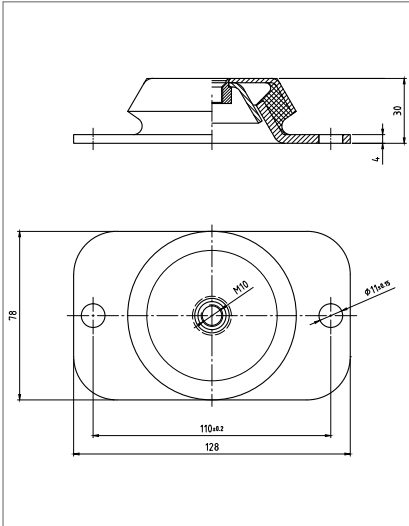
Range of application

- The bearing element can be used for loads up to 250 kg
- They possess a break-proof design for absorbing accelerations of up to 5G in all directions.



Our contact details:

Angst+Pfister AG
apsovib@angst-pfister.com
www.angst-pfister.com



APSOvib® reinforced machine mounts

Type	Static load F_z	Deflection s_z	Stiffness c_z
	N	mm	N/mm
ML-105	1050	3	350
ML-167	1670	3	557
ML-250	2500	3	883

Material elastomer

NR, black

Material shell

Steel, zinc plated, chromated

Material stop plate

Steel, zinc plated, chromated

EU standard

Compliant to 2002/95/EG (RoHS)

Attention: Combined loads will change spring properties.



Example

Break-proof design for absorbing accelerations of up to 5G in all directions.